

M9206

2-Point Electric Spring-Return Damper-Actuator

Application

The Johnson Controls electric, spring return damper-actuator series has been specially developed for the motorised operation of safety air dampers (anti-icing) in air conditioning systems, smoke evacuation dampers and sealing dampers. When the control signal is applied the actuator drives the damper to the operational position, while evenly tensioning the integrated spring. After a power failure the spring immediately brings the damper to the safety position. The compact design and universal adapter fitted with variable rotation lock make this actuator highly versatile



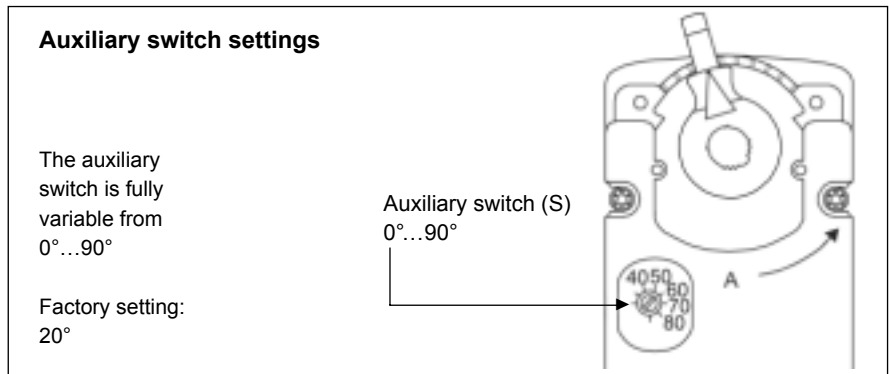
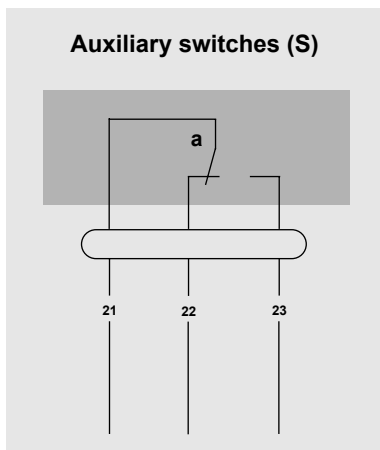
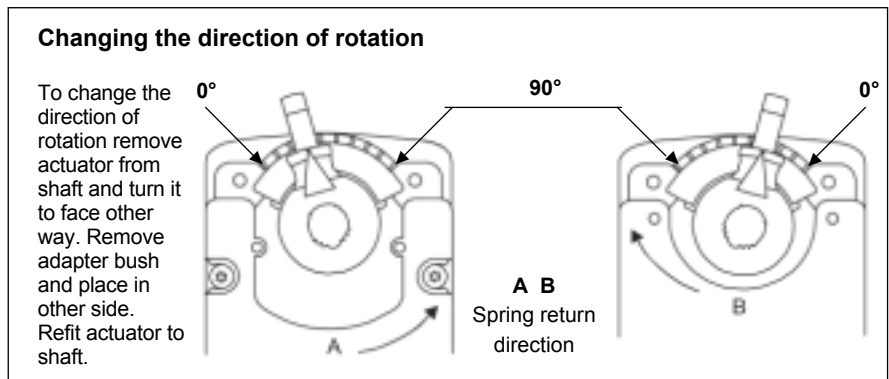
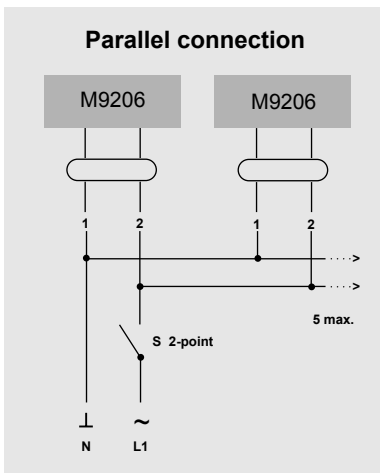
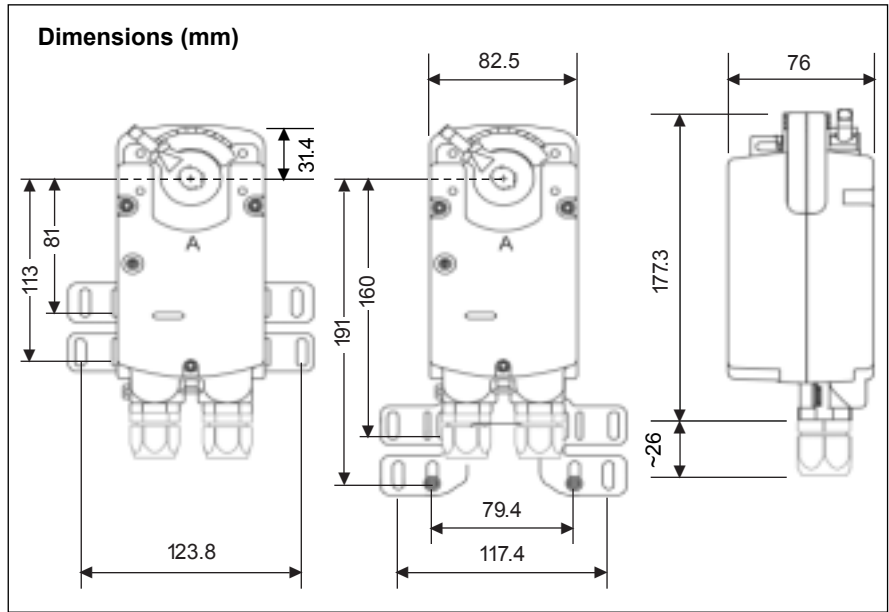
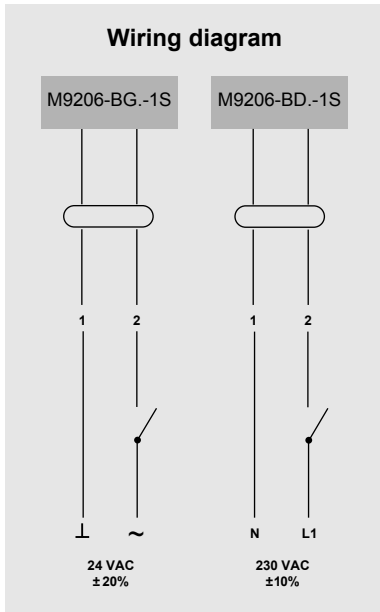
Nomenclature / Specification / Technical data

M9206-BGA-1S	24 VAC
M9206-BGB-1S	24 VAC with one adjustable auxiliary switch
M9206-BDA-1S	230 VAC
M9206-BDB-1S	230 VAC with one adjustable auxiliary switch

Key Features

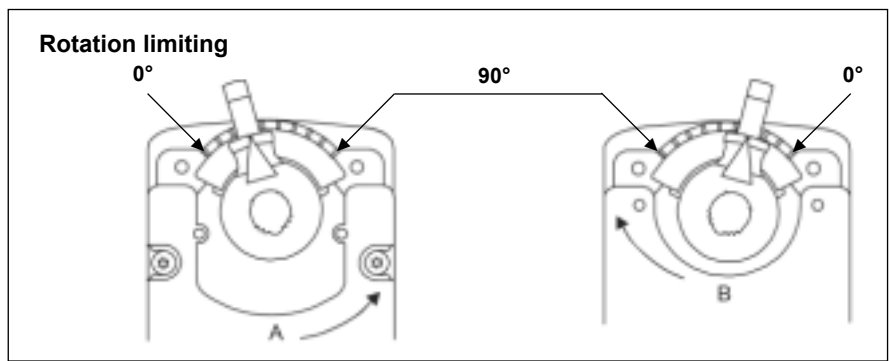
- 2-point control
- Connection with halogen free cable
- Up to 5 actuators in parallel operation possible
- Simple direct mounting with universal adapter for fitting to Ø 10- mm to 20-mm shaft or 10-mm to 16-mm square shaft. 45-mm min shaft length
- Selectable direction of rotation
- Rotation limiting
- (1) variable aux. switch. See back page for settings
- Automatic shut-off at end position (overload switch)
- Energy efficient in end positions
- Devices meet CE requirements

Actuator	Units	M9206-BG.-1S	M9206-BD.-1S
Torque	Nm	6	6
Damper area	m ²	1.1	1.1
Running time: motor opens	sec	10...40	10...65
Running time: spring closes	sec	35...70	35...70
Supply voltage	V	24 VAC	230 VAC
Frequency	Hz	50-60	50-60
Power consumption			
- Running	W	6.9	10.7
- Idle	W	4.2	7.2
For wire gauge	VA / I max	9.8 / 3.5 A @ 2 msec	11.0 / 0.2 A @ 2 msec
Weight	Kg	1.6	1.6
Control signal		2-point	
Angle of rotation / range		90° (93° mech.)	
Angle of rotation / limit		34,5°...90°	
Approx. life time		60'000 cycles	
Auxiliary switches		3(1.5) Amp 230 V	
Setting range		0°...90°	
Noise level		55 dB (A)	
Enclosure class		II	
Enclosure Protection		IP 42	
Cable adapter		1,2 m	
Mode of action		Type 1	
Ambient conditions			
- Operating temperature		IEC 721-3-3 -32...60°C	
- Storage temperature		IEC 721-3-2 -40...86°C	
- Humidity		5...95% rH non condensing	
Service		Maintenance free	
Standards			
		Mechanics	EN 60 529 / EN 60 730-2-14
		Electronics	EN 60 730-2-14
		EMV interference emissions	EN 50 081-1:92 / IEC 61000-6-3:96
		EMV interference resistance	EN 50 082-2:95 / IEC 61000-6-2:99



Rotation limiting

The angle of rotation is adjustable in 5° steps. This is done by removing the adapter bush and turning it one serration. Smallest angle of rotation is 34,5°.



For details of installation and commissioning see Service and Data Information (SDI)

The performance specifications are nominal and conform to acceptable industrial standards. For application at conditions beyond these specifications, consult the local Johnson Controls office. Johnson Controls Incorporated shall not liable for damages resulting from misapplication or misuse of its products

JOHNSON CONTROLS
Johnson Controls International, Inc.
 Headquarters:
 European Customer Service Centre:
 European Factories:
 Branch Offices

Milwaukee, Wisconsin, USA
 Westendhof 3, D-45143 Essen, Germany
 Essen (Germany), Leeuwarden (The Netherlands) and Lomagna (Italy)
 Principal European Cities.

Printed in Germany