

- Built-in NTC temperature sensor

TM-9190-x000

- Set point override range: 12-28°C
± 3 K
configurable

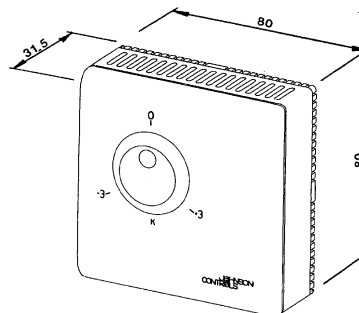
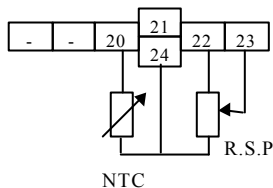
1=Separable connectors
0=Plug-in connector fixed
onto the base

-000x

0=Dial range 12-28°C
5=Dial range ± 3 K

- On request: concealed pot for set point
override

- Wiring connections



- Built-in NTC temperature sensor

TM-9190-x000

- Set point override range: 12-28°C
± 3 K
configurable

1=Separable connectors
0=Plug-in connector fixed
onto the base

-000x

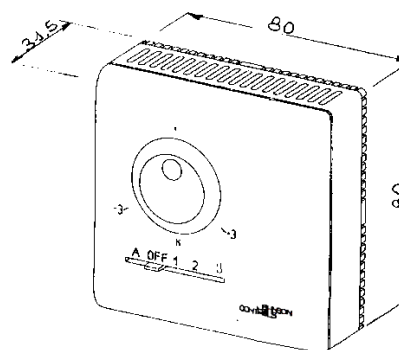
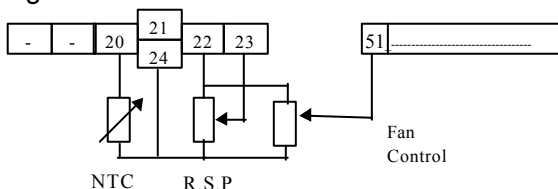
2=Dial range 12-28°C
7=Dial range ± 3 K

- On request: concealed pot for set point
override

- Override of fan velocity control:

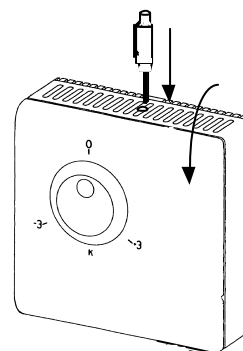
- automatic
- off
- 1st, 2nd, 3rd, fan speed velocity

- Wiring connections



1. Remove the base of the module from the cover by inserting a pointed tool (a special tool, Ordering Code TM-9100-8900, is available from Johnson Controls) into the small hole at the center top of the cover. (See sketch 1).
2. While pressing down gently, prise the base away from the cover.
3. As the two parts separate, remove the tool and continue to pull the cover away from the base until the cover is in free.
4. Mount the base on the wall to cover the electrical output and secure with at least two screws.

Sketch 1

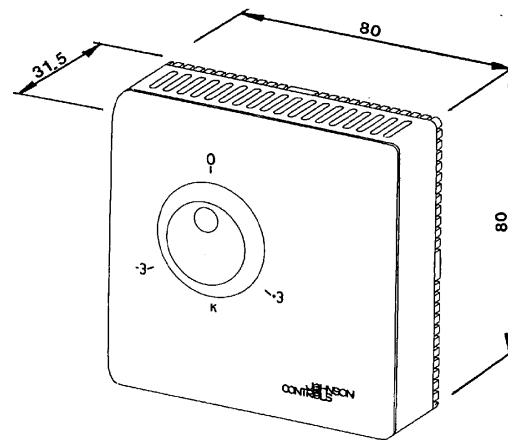
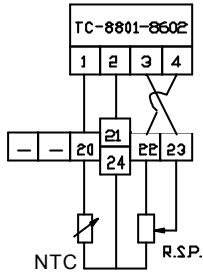


- Built-in NTC temperature sensor

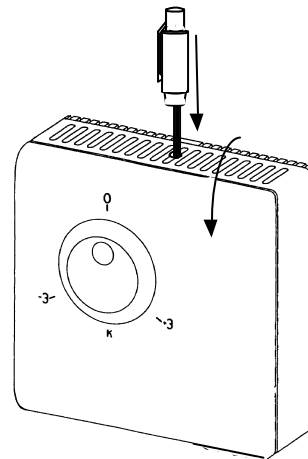
TM-9160-8004

- Set point override range: ± 3 K

- Wiring connections



1. Remove the base of the module from the cover by inserting a pointed tool (a special tool, Ordering Code TM-9100-8900, is available from Johnson Controls) into the small hole at the center top of the cover. (See sketch 1).
2. While pressing down gently, prise the base away from the cover.
3. As the two parts separate, remove the tool and continue to pull the cover away from the base until the cover is in free.
4. Mount the base on the wall to cover the electrical output and secure with at least two screws.



SKETCH 1

INSTALLING TM-9180-050x ROOM COMMAND MODULE WITH LCD DISPLAY

MOUNTING

1. Remove the base of the module from the cover by inserting a pointed tool (a special tool, Ordering Code TM-9100-8900, is available from Johnson Controls) into the small hole at the center top of the cover (See Figure 1).
2. While pressing down gently, prise the base away from the cover.
3. As the two parts separate, remove the tool and continue to pull the cover away from the base until the cover is in free.
4. Mount the base on the wall to cover the electrical output and secure with at least two screws (See Figure 2).

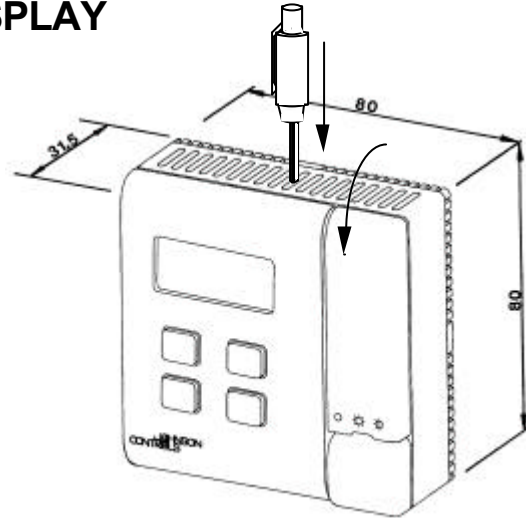


Figure 1: TM-9180-0501

SPECIFICATIONS

- Built-in NTC temperature sensor
- Push button Mode Selector with Led indication:
 - Comfort / Led on
 - Stand-by / Led blinking
 - Night / Led off
- Set Point Change Enable / Disable selectable via a Jumper

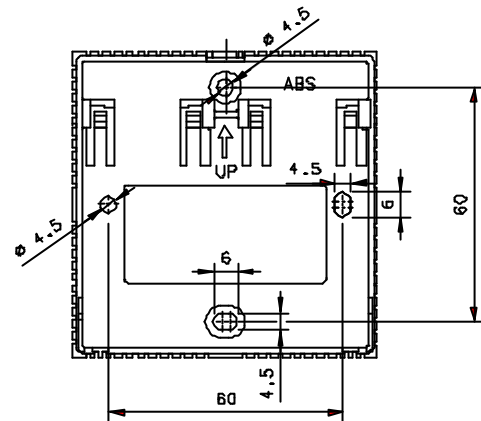


Figure 2: Mounting Dimensions of

ORDERING CODE

TM-9180-050x

- 0 = Without LED Indication and Push Bottom
- 1 = With LED Indication and Push Bottom

JUMPER SETTING

- Jumper JP1 Setting (See Figure 3) :

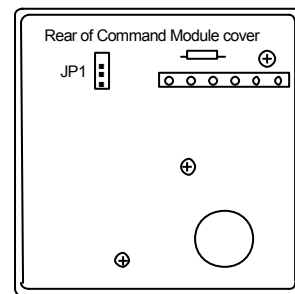
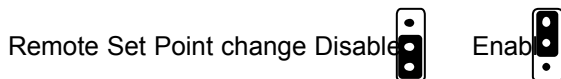


Figure 3: Jumper

NOTE: Change Jumper JP3 position of TC-9102 Controller as follows:

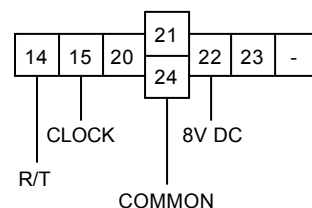
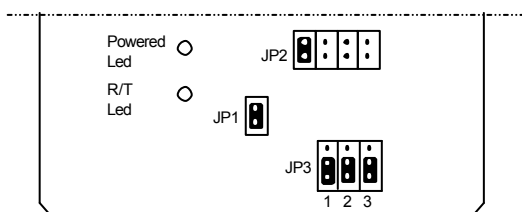


Figure 4: Wiring P/N 24-85638-749

INSTALLING TM-9180-050x ROOM COMMAND MODULE WITH LCD DISPLAY

MOUNTING

1. Remove the base of the module from the cover by inserting a pointed tool (a special tool, Ordering Code TM-9100-8900, is available from Johnson Controls) into the small hole at the center top of the cover (See Figure 1).
2. While pressing down gently, prise the base away from the cover.
3. As the two parts separate, remove the tool and continue to pull the cover away from the base until the cover is in free.
4. Mount the base on the wall to cover the electrical output and secure with at least two screws (See Figure 2).

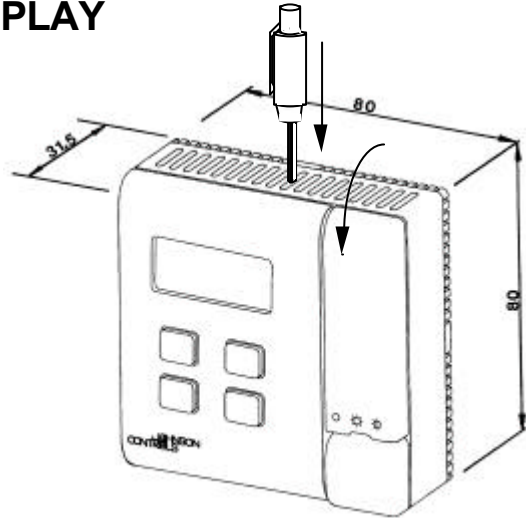


Figure 1: TM-9180-0501

SPECIFICATIONS

- Built-in NTC temperature sensor
- Push button Mode Selector with Led indication:
 - Comfort / Led on
 - Stand-by / Led blinking
 - Night / Led off
- Set Point Change Enable / Disable selectable via a Jumper

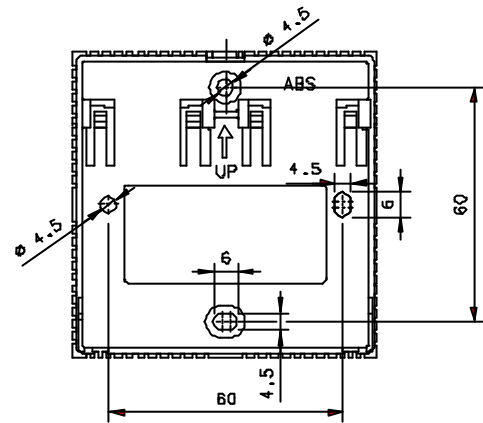


Figure 2: Mounting Dimensions of

ORDERING CODE

TM-9180-050x

- 0 = Without LED Indication and Push Bottom
- 1 = With LED Indication and Push Bottom

JUMPER SETTING

- Jumper JP1 Setting (See Figure 3) :

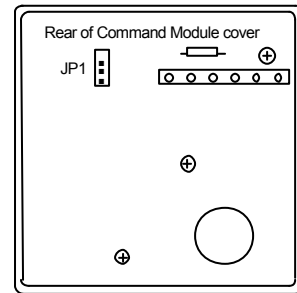
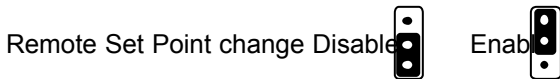


Figure 3: Jumper

NOTE: Change Jumper JP3 position of TC-9102 Controller as follows:

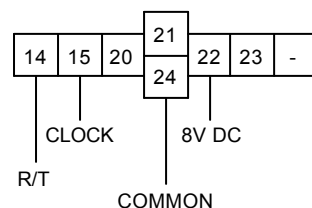
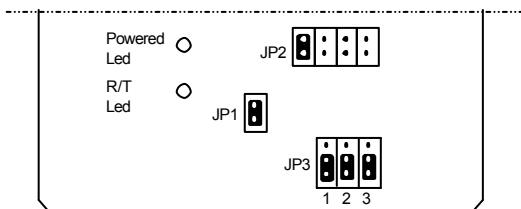
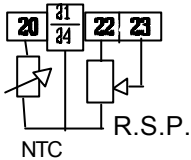
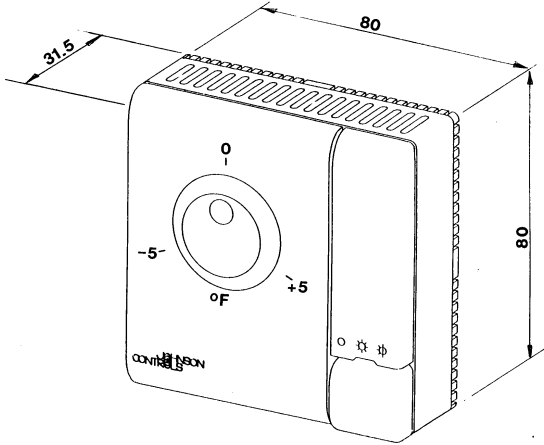


Figure 4: Wiring P/N 24-85638-676

ROOM COMMAND MODULE with NTC sensor

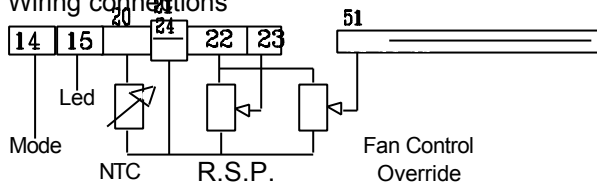
- Built-in NTC temperature sensor
- Set point override range: 12-28 °C
± 3 K
configurable
- On request: concealed pot for set point
override
- Wiring connections

TM-9160-S0005



- Built-in NTC temperature sensor
- Push button Mode Selector with Led indication:
 - Comfort/Led on
 - Stand-by/Led blinking
 - Night/Led off
- Set point override range: 55-85 °F
± 5 °F
configurable
- On request: concealed pot for set point override
- Override of fan velocity control:
 - automatic
 - off
 - 1st, 2nd, 3rd fan speed velocities

- Wiring connections

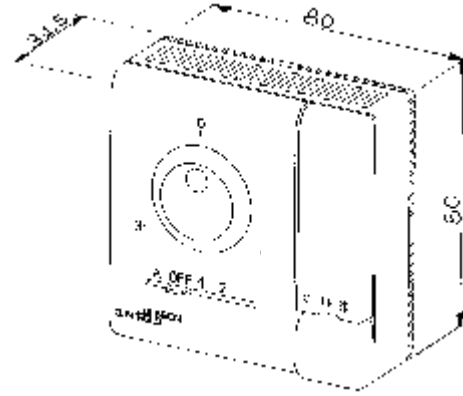


TM-9160-X000

0 = °C / K
5 = °F

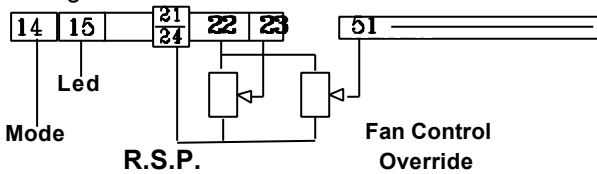
-000X

2 = Dial Range 55-85 °F
7 = Dial Range ±5 °F



- Push button Mode Selector with Led indication:
 - Comfort/Led on
 - Stand-by/Led blinking
 - Night/Led off
- Set point override range: 55-85 °F
± 5 K
configurable
- On request: concealed pot for set point override
- Override of fan velocity control:
 - automatic
 - off
 - 1st, 2nd, 3rd fan speed velocities

- Wiring connections

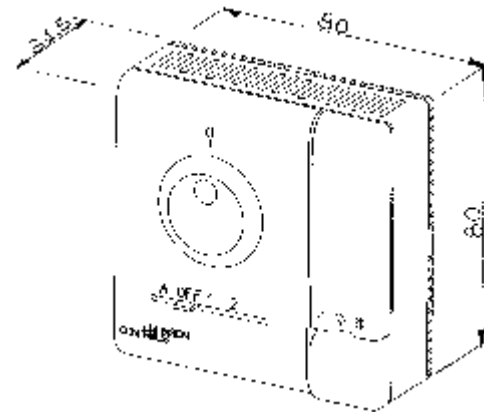


TM-9170-X000

0 = °C / K
5 = °F

-000X

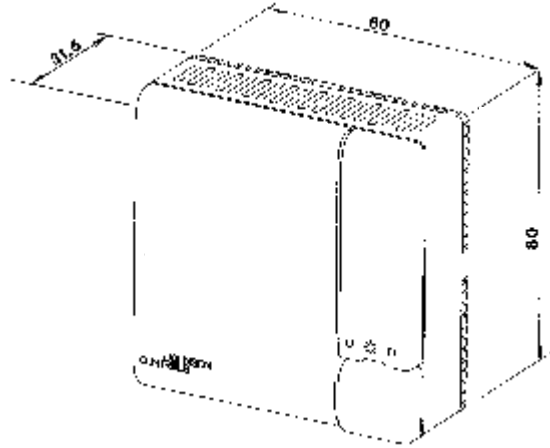
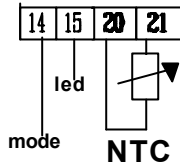
2 = Dial range 55-85 °F
7 = Dial range ± 5 °F



ROOM COMMAND MODULE with NTC sensor

TM-9150-0000

- Built-in NTC temperature sensor
- Wiring connections



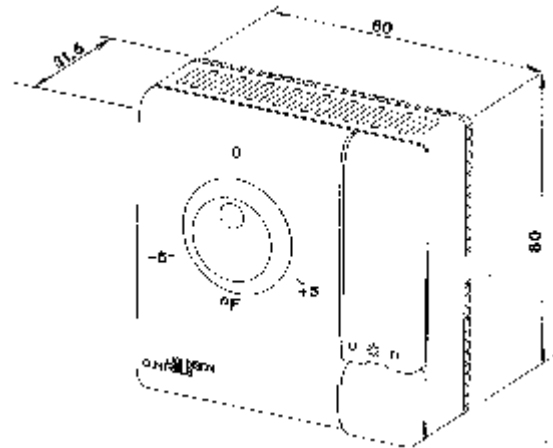
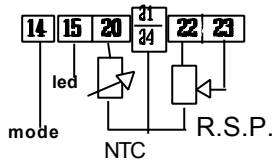
- Built-in NTC temperature sensor
- Push button Mode Selector with Led indication:
 - Comfort/Led on
 - Stand-by/Led blinking
 - Night/Led off
- Set point override range: 55-85 °F
± 5 °F
configurable
- On request: concealed pot for set point override
- Wiring connections

TM-9160-X000

0 = °C / K
5 = °F

-000X

0 = Dial range 55-85 °F
5 = Dial range ± 5 °F



INSTALLING TM-9180-0xx0 ROOM COMMAND MODULE WITH LCD DISPLAY

MOUNTING

1. Remove the base of the module from the cover by inserting a pointed tool (a special tool, Ordering Code TM-9100-8900, is available from Johnson Controls) into the small hole at the center top of the cover (See Figure 1).
2. While pressing down gently, prise the base away from the cover.
3. As the two parts separate, remove the tool and continue to pull the cover away from the base until the cover is in free.
4. Mount the base on the wall to cover the electrical outlet and secure with at least two screws (See Figure 2).

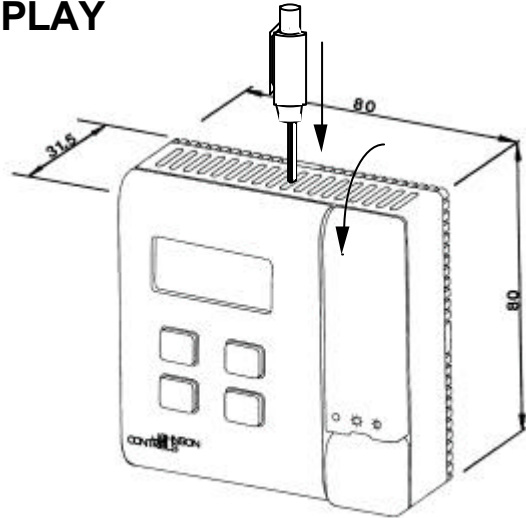


Figure 1: TM-9180-

SPECIFICATIONS

- Built-in NTC temperature sensor
- Push button Mode Selector with Led indication:
 - Comfort / Led on
 - Stand-by / Led blinking
 - Night / Led off
- Service Module Socket (depending on model)

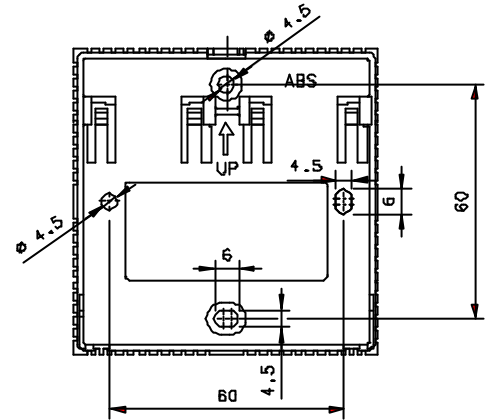


Figure 2: Mounting Dimensions of

TM-9180-0xx0

- 1 = With View Mode and Clock Setting only
- 2 = With View Mode and Programming Mode

TM-9180-0xx0

- 0 = Without Service Module socket
- 1 = With Service Module socket

JUMPER SETTING

- JP1/1: Clock Setting
 - JP1/2: Fan Speed override
 - JP1/3: Time Schedule
- Enable or Disable

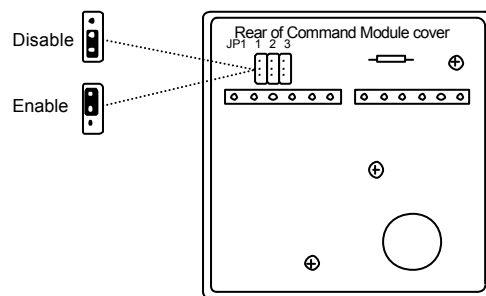


Figure 3: Jumper Location

NOTE: Change Jumper JP3 position of TC-91xx as follows :

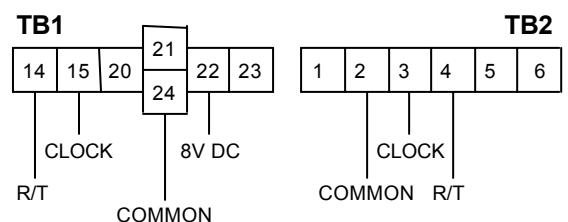
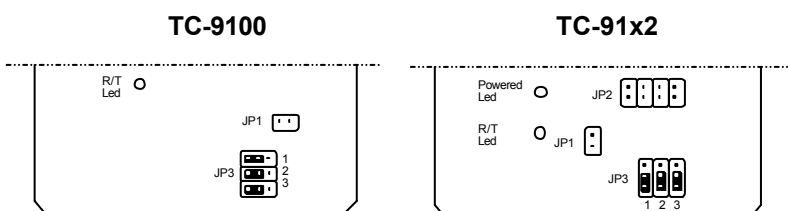


Figure 4: Wiring P/N 24-85638-447