

## Series Bulb Well and Accessories

(for remote bulb thermostats and water valves)

### Introduction

*Bulb wells are designed for immersion applications in fluids for cooling, heating and industrial purposes. Bulb wells are used to accommodate temperature sensing elements in cases where a direct contact with fluid is not allowed. Bulb wells are also to avoid unnecessary drainage of the system when removing the sensing element. Various models, covering a broad range of sensing elements are available. A closed tank connector and duct flange are available to cover special applications.*



**WEL003N601**



**WEL14A602R**

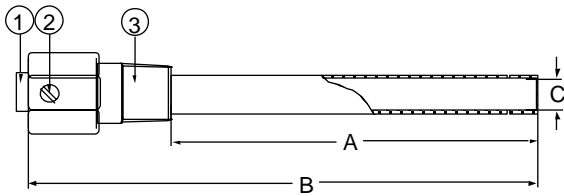
#### Feature and Benefits

- |   |   |
|---|---|
| <input type="checkbox"/> <b>High temperature allowable.</b> | For high medium temperature applications                              |
| <input type="checkbox"/> <b>High maximum pressure</b>       | For high pressure applications  |
| <input type="checkbox"/> <b>(monel type)</b>                |   |
| <input type="checkbox"/> <b>Various models</b>              | Covers a broad range of sensing elements including electronic sensors |

## T Typenumber selection table

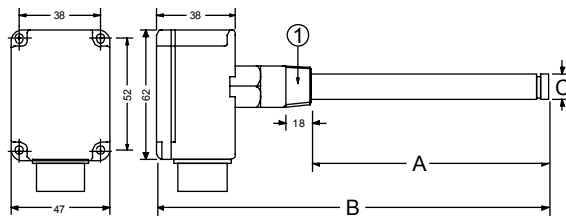
Item Number	See fig.	Dimensions (mm)			Material		Finishing	Max. °C	Max. Press (bar)	Remarks	Applications
		A	B	C Inside	Conn.	Tube					
WEL003N601	3	125	201	9.8	Brass	Copper		90	20	Enclosure IP54 Plastic	A99B A99B
WEL003N602R	1	125	171	9.8	Stainless Steel	Stainless Steel		370	70		A19/A28/A36 A99B
WEL11A601R	2	60	118	7.3	Brass	Copper		120	20	Style 1a	A19/A28
WEL14A600R	1	120	166	11.2	Monel	Monel		370	69		A19/A28/A36
WEL14A602R	1	125	171	9.8	Brass	Copper		120	20		A19/A28/A36 A99B
WEL14A603R	1	147	193	9.8	Brass	Copper		120	20		A19/A28/A36
WEL16A601R	2	71	117	9.5	Brass	Copper		120	20	Style 1a	A19/A28/A36
WEL17A-600	4	265	284	19.4	Steel	Copper	Tin	120	17		V47/V49
WEL17A-601	4	214	240	19.4	Steel	Copper	Tin	120	17		V47/V49
WEL17A-603	4	255	275	19.1	Monel	Monel		70	69		V47/V49
WEL18A-601	4	89	108	19.6	Monel	Monel		370	69		V47/V49
WEL18A-602	4	89	114	19.6	Steel	Brass	Tin	120	10		V47/V49

## B Bulb well models



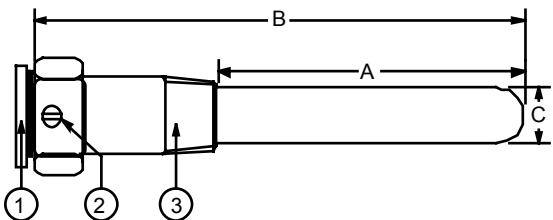
**Fig 1**

1. Bushing
2. Set screw
3. Adapter, 1/2"-14 NPT



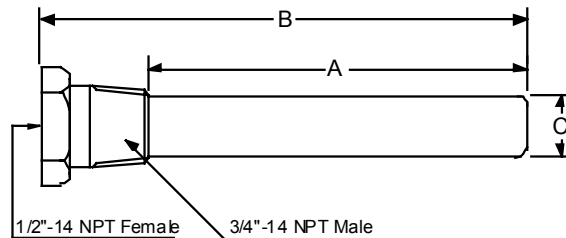
**Fig. 3**

1 = 1/2- 14 NPT



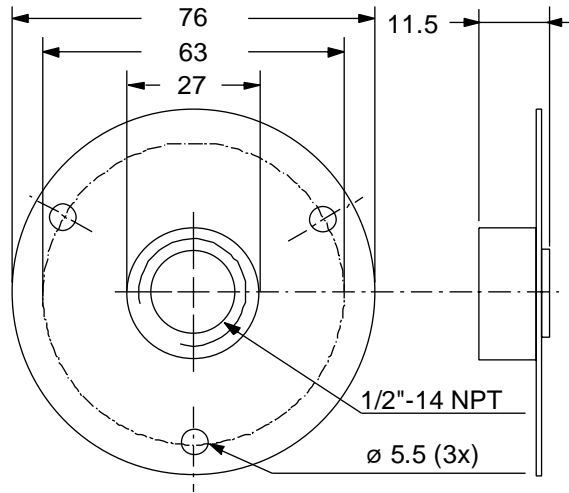
**Fig. 2**

1. Cable/capillary bushing
2. Clamp screw
3. 1/2-14NPT male

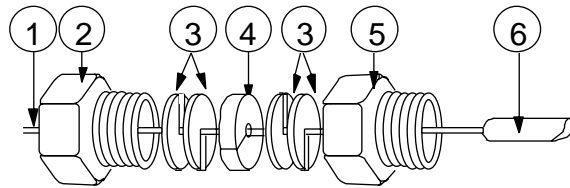


**Fig. 4**

## Special applications



**Fig. 5**  
**Duct flange to be used with closed-tank connector FTG13A600R.**  
Order number **T752-1001**



**Fig. 6**  
**Closed-tank connector**  
Order number **FTG13A600R**

1. Style 1b bulb support tube
2. Packing nut
3. Washer
4. Packing
5. Adapter, 1/2"-14 NPT
6. Bulb

*The performance specifications are nominal and conform to acceptable industry standards. For applications at conditions beyond these specifications, consult the local Johnson Controls office or representative. Johnson Controls shall not be liable for damages resulting from misapplication or misuse of its products.*



**Johnson Controls International, Inc.**

Headquarters: Milwaukee, WI, USA  
European Headquarters: Westendhof 8, 45143 Essen, Germany  
European Factories: Lomagna (Italy), Leeuwarden (The Netherlands) and Essen (Germany)  
Branch Offices: Principal European Cities.

This document is subject to change

Printed in Europe